



## Loaded with powerful features

Built with professional-grade components to outlast the competition.

### SMART DESIGN FOR A BETTER EXPERIENCE

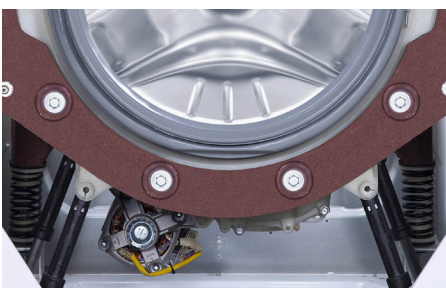
- Extra Large Capacity for Families and Bulky Items
- Superior Cleaning Performance
- 4 Cycle Options: Cold, Warm, Hot, and Delicate
- Separate Controls for Heavy Soil and Extra Rinse
- Quicker Drying Time Due to a Fast 300G Spin

### SIGNATURE FEATURES

- 3.5 cu. ft. Capacity
- 300 G-force Extraction
- 15,000+ wash cycles
- AC Motor (no brushes)
- Solid Steel Counterweights
- Easy Soft-Mount Installation
- Easy Access Repair Panel
- Quiet Operation
- 4 Wash Cycles
- Add Revenue with Heavy Soil and Extra Rinse Options
- Save up to 60% on Water
- Coin and Card Compatibility
- 3-Year Parts Warranty

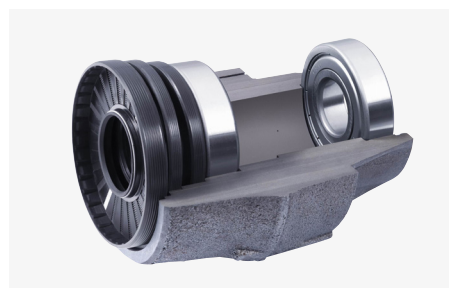
### RATING

- ENERGY STAR® Certified
- ADA Compliant \*
- CSA Certified
- Proposition 65 Compliant
- CEC Compliant
- NRCAN Registered



### 8-POINT SUSPENSION

Robust suspension features advanced technology to keep loads in balance, eliminate oversuds, and finish the cycle.



### HEAVY-DUTY SKF BEARINGS

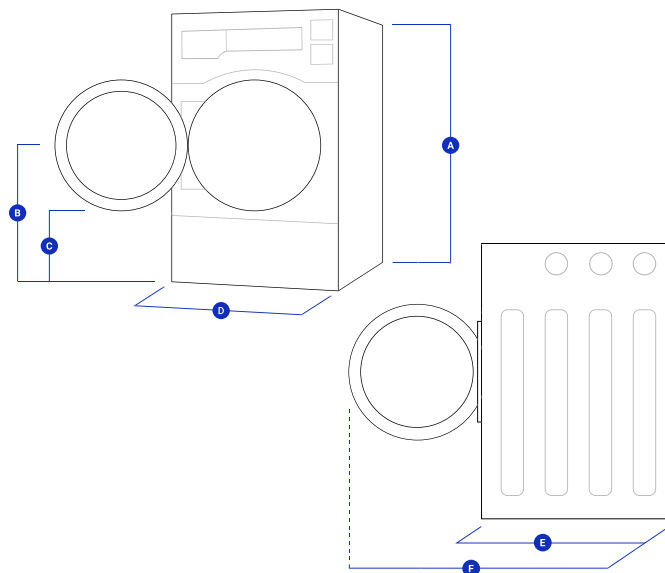
Commercial-grade bearings with 3 seals and 5 lips to protect and provide a water-tight barrier around the driveshaft.



### TIME-OF-DAY PROMO PRICING

Easily programmable for multiple promotional events or happy hour pricing using the built-in real-time clock.

SPECIFICATIONS	
Models	WHLFP715C2FMI (coin) WHLFP715C2DC (card) WHLFP715C2OPL (OPL)
Capacity – lb (kg)	22 lb (10 kg)
Cylinder Volume – cu. ft. (liters)	3.5 cu. ft. (98 l)
Wash Cycles & Options	Cold, Warm, Hot, Delicate, Heavy Soil, Extra Rinse
Motor	Variable-speed, reversible, thermoprotected, high- efficiency, controlled induction
Electrical Rating – v/Hz/Ph	120 V/60 Hz/1-phase
Breaker Requirements – Amps	15 A
Wash Speed – RPM	45 RPM (1050 RPM max)
Maximum G-Force	300 G
Inlet Hose – in	2x 3/8 in (hoses included)
Water Pressure – Psi (kPa)	10–90 psi (70-600 kPa)
Drain Hose – in (mm)	1 in (25.4 mm)
Crated Weight – lb (kg)	314 lb (142 kg)
Uncrated Weight – lb (kg)	299 lb (136 kg)



EQUIPMENT DIMENSIONS	
A. Overall Height – in (mm)	43 1/4 in (1098 mm)
B. Height to Center of Door – in (mm)	23 in (584 mm)
C. Height to Bottom of Door – in (mm)	12 3/16 in (310 mm)
D. Overall Width – in (mm)	27 in (686 mm)
E. Overall Depth – in (mm)	30 1/8 in (765 mm)
F. Depth w/ Door Open 90° – in (mm)	51 3/16 in (1300 mm)

### Additional Products

6" Washer Base (optional)	096792
Gas Dryer	DLHF0315GC2 (coin) DLHF0315GC2DC (card) DLHF0315GC2OPL (OPL)
Electric Dryer	DLHF0315EC2 (coin) DLHF0315EC2DC (card) DLHF0315EC2OPL (OPL)

Actual color may vary. Dimensions are for planning purposes only.

Refer installation and servicing to qualified, licensed personnel. Always read Installation and Operating Manuals and consult local codes before installation. Protect machines with properly rated circuit breakers ONLY. Warranty void if not properly installed.

Because of continuous product improvement, specifications are subject to change without notice. LaundryLux assumes no responsibility for errors or omissions in this information.

\* ADA compliant when mounted on the floor or on a base up to 6 inches high.